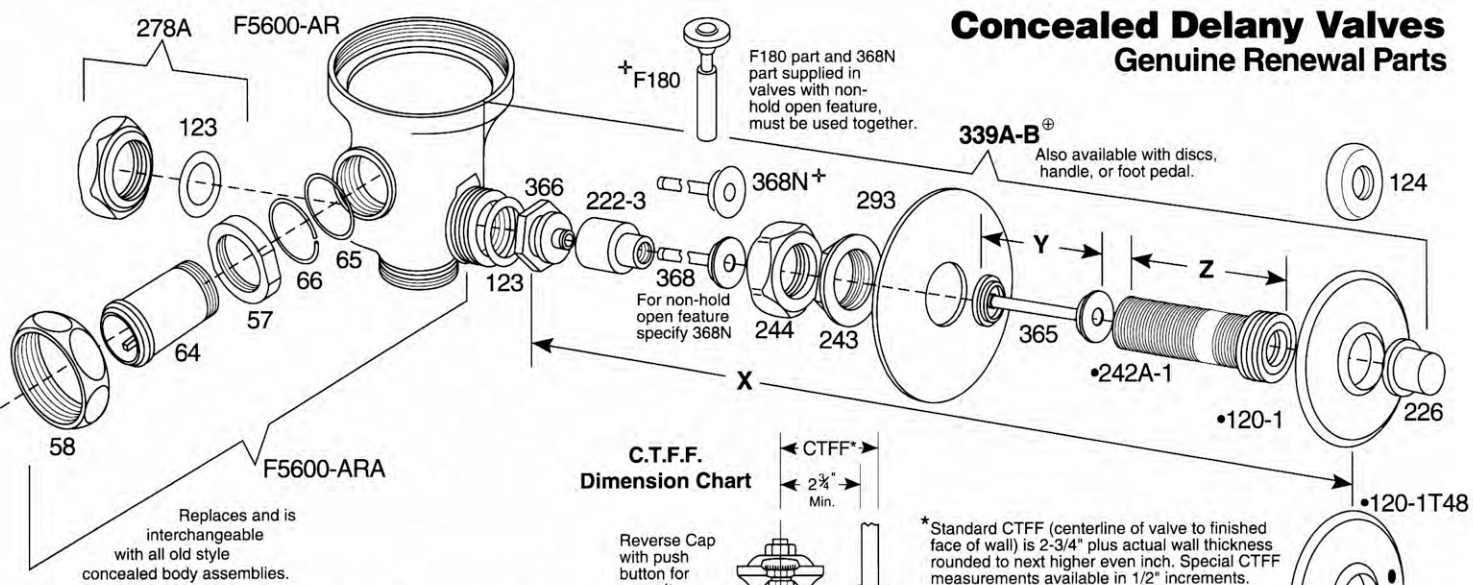
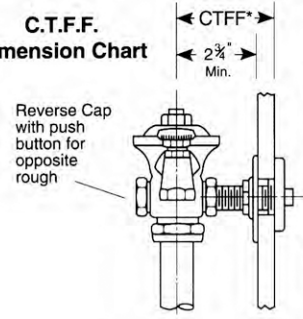


# Concealed Delayed Valves Genuine Renewal Parts



• For use with 1/2" pushbutton only. Specify part No. 242A or 120 for use with discs, handle, or foot peddle.

### C.T.F.F. Dimension Chart



\*Standard CTFF (centerline of valve to finished face of wall) is 2-3/4" plus actual wall thickness rounded to next higher even inch. Special CTFF measurements available in 1/2" increments.  
Example: 4" block wall + 2 3/4" = 6 3/4" C.T.F.F.

⊕NOTE:  
Old style spring loaded assembly no longer available. Replaced by and interchangeable with Rubberflex assembly illustrated above and described in table below.

## Partial Assemblies

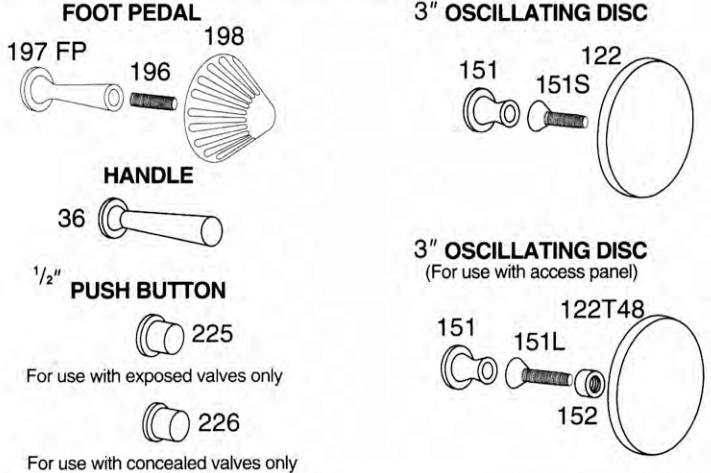
|              |   |
|--------------|---|
| ◆◆◆ 339A-B   | Rubberflex 1/2" push button assembly  |
| ◆◆◆ 339A-C   | Rubberflex 3" oscillating disc assembly   |
| ◆◆◆ 339A-T28 | Rubberflex handle assembly  |
| ◆◆◆ 339A-T29 | Rubberflex foot pedal assembly  |
| F5600-ARA    | KwikFit concealed valve body assembly (standard length No. 64 part. See table preceding page for special lengths) |

## Individual Parts

|         |  |
|---------|--|
| 26      | Packing washer   |
| 28L     | Packing nut  |
| 36      | Handle   |
| †39     | Wall sleeve spacer   |
| 57RB    | Clamping nut, rough brass  |
| 58RB    | Union nut, rough brass   |
| ◆◆ 64RB | KwikFit union tailpiece, rough brass, 2" standard length overall (allows 4 1/2" to 5 1/2" centers. See table preceding page for special lengths. Supplied complete with No. 65 and No. 66 parts) |
| 65      | "O" ring   |
| 66      | Clamping ring  |
| ◆120    | Wall flange (for use with discs, handle, or foot pedal)  |
| ◆120-1  | Wall flange (for use with 1/2" push button only)   |
| ◆122    | 3" Oscillating disc  |
| 122T48  | 3" Oscillating disc (for use with access panel)  |
| 123     | Washer for coupling nut or handle opening cap  |
| 124     | Sink flange (for use with 1/2" push button only)   |
| 125     | Spring   |
| 151     | Holder for discs   |
| 151L    | Holding screw for discs (for use with access panel)  |
| 151S    | Holding screw for discs  |
| 152     | Retaining ring for holding screw   |
| 196     | Stud for foot pedal  |
| 197FP   | Holder for foot pedal  |
| 198     | Foot pedal   |
| 222-3   | Flexer   |
| 225     | 1/2" Push button (for use with exposed valves only)  |
| 226     | 1/2" Push button (for use with concealed valves only)  |

## Actuators for Flushboy Valve

For use with both concealed and exposed valves, except as noted.



## Individual Parts (continued)

|          |   |
|----------|---|
| §242A    | Wall sleeve (for use with discs, handle, or foot pedal)                         |
| §242A-1  | Wall sleeve (for use with 1/2" push button only)                                |
| 243      | Locknut   |
| 244      | Coupling nut  |
| 245      | Operating stem (overall length 2 3/8")  |
| 245N     | Operating stem (for valves with non hold open feature. Overall length 2 1/4")   |
| 278A     | Cap for handle opening with No. 123 part  |
| 293      | Bearing plate   |
| #365     | Wall sleeve spacer  |
| 366      | Wall sleeve bushing   |
| 368      | Operating stem (overall length 3 1/32")   |
| 368N     | Operating stem (for valves with non hold open feature. Overall length 2 29/32") |
| F5600-AR | KwikFit concealed valve body only   |

◆ If for use with valves containing non hold open feature, add suffix T5 to assembly number. Price remains the same.

◆ Specify exact "X" dimension required.

# Specify exact "Y" dimension required.

§ Specify exact "Z" dimension required.

◆ If for use with access panel, add suffix T48 to handle assembly, or part number. Price remains the same.