

**U402-3****FLUSHBOY ULTRA****WATER SAVER FLUSH VALVE***( 3.5gpf / 13.2Lpf Per Flush )*

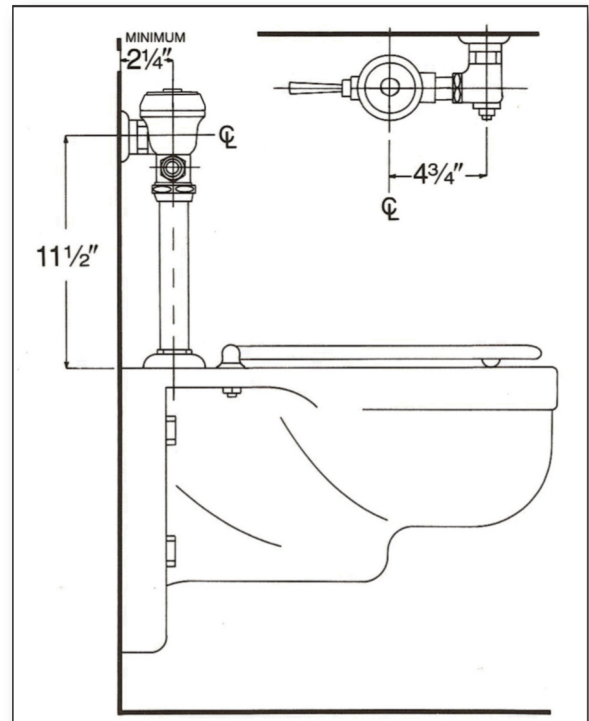
**P**olished chrome plated flush valve, chloramine resistant diaphragm, 3.5 gallons per flush, externally adjustable, with 1" vandle resistant capped screwdrive angle stop with back-check, renewable main valve seat, ADA compliant metal "Rubberflex" oscillating handle, with KwikFit ground joint tailpiece, vacuum breaker, wall flange, spud nut and spud flange for 1½" top spud.

**Variations**

- SC – SlipFit connection (adjustable joint tailpiece)
- AM – Antimicrobial Coated Handle
- SH – SmartHandle Dual-Flush with Antimicrobial Coating
- G – Bumper on angle stop (for seat without cover)
- T5 – Non-Hold-Open Feature
- T6 – Wall flange with allen set screw
- T36 – Solid ring wall support for flush connection
- T42 – Sweat adapter kit for stop
- T46 – Split ring wall support for flush connection
- T106– Mashaerator Self-Cleaning Bypass

**Remarks**

**\* For use with 3.5 gallons water saver water closet**



P.O. Box 411 · Charlottesville · VA · 22902 · USA  
 Phone: (434) 296-0166 · Fax (434) 977-3596  
 Email: info@delanyproducts.com  
 Web: www.delanyproducts.com  
 ©2014

