

U414-1.28

FLUSHBOY ULTRA

HIGH EFFICIENCY TOILET FLUSH VALVE
(1.28gpf / 4.8Lpf Per Flush)

Polished chrome plated flush valve, chloramine resistant diaphragm, 1.28 gallons per flush, externally adjustable, with 1" vandle resistant capped screwdriver angle stop with back-check, renewable main valve seat, ADA compliant metal "Rubberflex" oscillating handle, with KwikFit ground joint tailpiece, vacuum breaker, wall flange, spud nut and spud flange for 1½" top spud.



T36—Solid ring wall support for flush connection



T46—Split ring wall support for flush connection

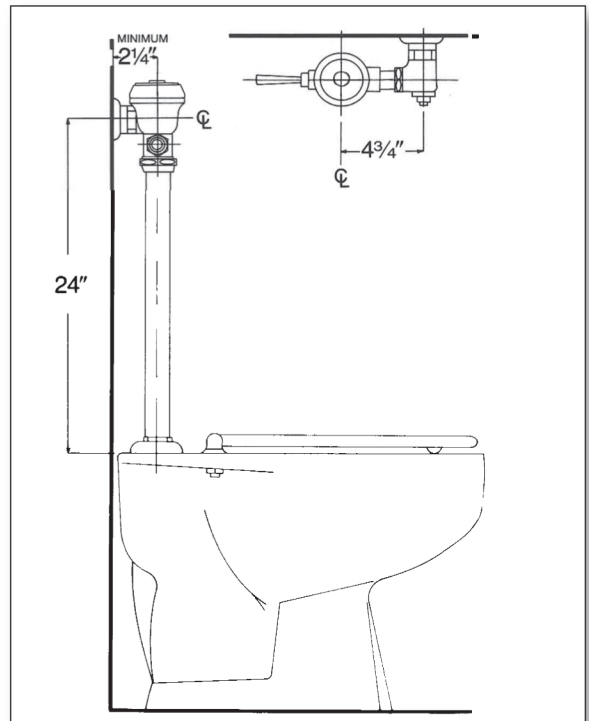


Variations

- SC – SlipFit connection (adjustable joint tailpiece)
- AM – Antimicrobial Coated Handle
- SH – SmartHandle Dual-Flush with Antimicrobial Coating
- T5 – Non-Hold-Open Feature
- T6 – Wall flange with allen set screw
- T36 – Solid ring wall support for flush connection
- T42 – Sweat adapter kit for stop
- T46 – Split ring wall support for flush connection
- T106– Mashaerator Self-Cleaning Bypass

Remarks

*** For use with 1.28 gallons high efficiency water closet**



P.O. Box 411 · Charlottesville · VA · 22902 · USA
Phone: (434) 296-0166 · Fax (434) 977-3596
Email: info@delanyproducts.com
Web: www.delanyproducts.com
©2014

