

**U414-1.6**

**FLUSHBOY ULTRA**

*LOW CONSUMPTION FLUSH VALVE  
( 1.6gpf / 6.0Lpf Per Flush )*

**P**olished chrome plated flush valve, chloramine resistant diaphragm, 1.6 gallons per flush, externally adjustable, with 1" vandle resistant capped screwdriver angle stop with back-check, renewable main valve seat, ADA compliant metal "Rubberflex" oscillating handle, with KwikFit ground joint tailpiece, vacuum breaker, wall flange, spud nut and spud flange for 1½" top spud.



T36—Solid ring wall support for flush connection



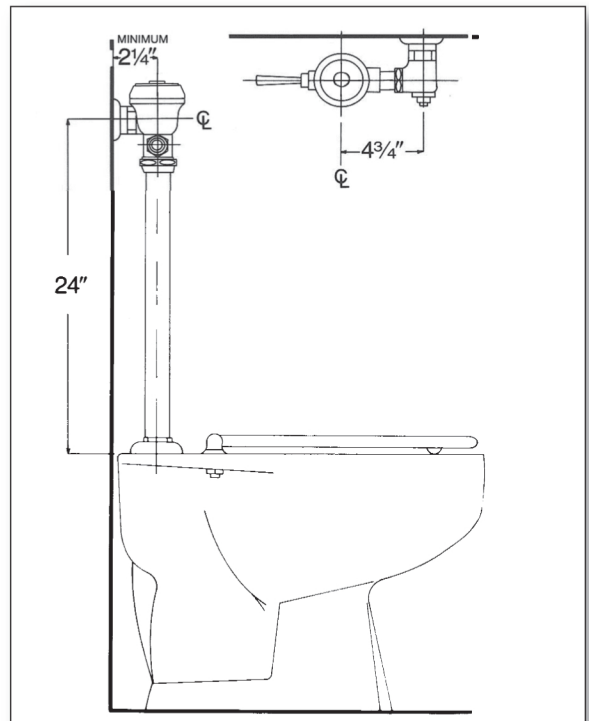
T46—Split ring wall support for flush connection

#### Variations

- SC – SlipFit connection (adjustable joint tailpiece)
- AM – Antimicrobial Coated Handle
- SH – SmartHandle Dual-Flush with Antimicrobial Coating
- T5 – Non-Hold-Open Feature
- T6 – Wall flange with allen set screw
- T36 – Solid ring wall support for flush connection
- T42 – Sweat adapter kit for stop
- T46 – Split ring wall support for flush connection
- T106—Mashaerator Self-Cleaning Bypass

#### Remarks

**\*** *For use with 1.6 gallons low consumption water closet*



P.O. Box 411 · Charlottesville · VA · 22902 · USA  
Phone: (434) 296-0166 · Fax (434) 977-3596  
Email: info@delanyproducts.com  
Web: www.delanyproducts.com  
©2014

