

S452-1.0

SABER

*LOW CONSUMPTION FLUSH VALVE
(1.0gpf / 3.5Lpf Per Flush)*

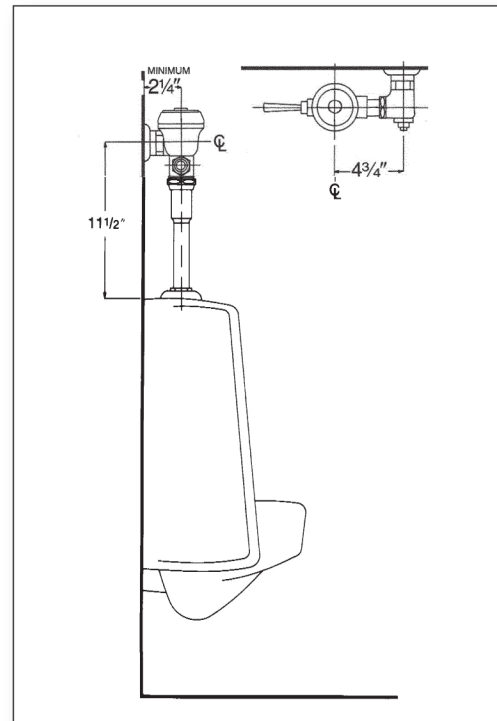
Polished chrome plated flush valve, chloramine resistant Self Cleaning Bypass diaphragm, 1.0 gallons per flush, externally adjustable, with 1" vandle resistant capped screwdriver angle stop with back-check, sweat adapter kit, renewable main valve seat, metal "Rubberflex" oscillating handle, "Turn-to-Silence" equipment, with Slip-Joint adjustable tailpiece, vacuum breaker, wall flange, spud nut and spud flange for 1/4" top spud.

Variations

- AM – Antimicrobial Coated Handle
- SH – SmartHandle Dual-Flush with Antimicrobial Coating. A DOWN stroke of the handle produces a full 1.0gpf /3.5Lpf for the complete elimination of all waste. An UP stroke of the handle results in a minimum of 30% water savings to eliminate liquid and paper
- T5 – Non-Hold-Open Feature
- T6 – Wall flange with allen set screw
- T36 – Solid ring wall support for flush connection
- T46 – Split ring wall support for flush connection

Remarks

Valve Body, Cover, Tailpiece and Control Stop shall be in conformance with ASTM Alloy Classification for Semi-Red Brass. Valve shall be in compliance to the applicable sections of ASSE 1037.



P.O. Box 411 · Charlottesville · VA · 22902 · USA
Phone: (434) 296-0166 · Fax (434) 977-3596
Email: info@delanyproducts.com
Web: www.delanyproducts.com
©2014

