

INSTALLATION INSTRUCTIONS



For more information contact...

WOODFORD MANUFACTURING COMPANY, LLC.

2121 Waynoka Road, Colorado Springs, Colorado 80915 • Phone: (800) 621-6032 • Fax: (800) 765-4115
To view our complete product line visit: www.woodfordmfg.com or email: sales@woodfordmfg.com

Rev 06/15 Form No. II68.101

Model 68 Freezeless UNDERCOVER WALL HYDRANT™

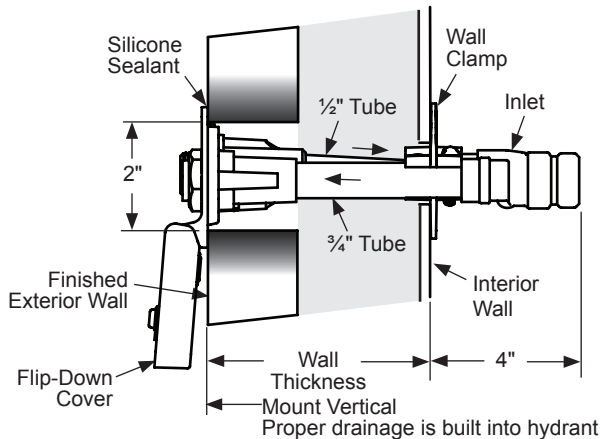


Fig. 1

Horizontal and Level.

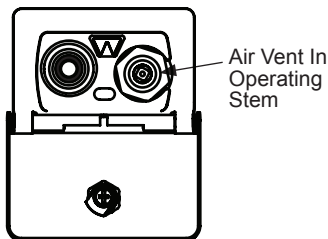
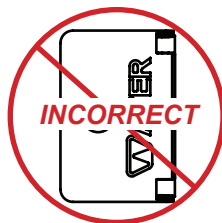


Fig. 2



The hydrant must be properly installed and operated to insure drainage. Improperly installed or operated hydrants may freeze and burst in freezing weather.

INSTALLATION INSTRUCTIONS:

1. Before installation, flush supply line to remove any debris.
2. Cut a 2" X 3 7/8" opening through the wall in the desired location. Fig. 1
3. Hydrant Inlet must be in a warm interior area. Fig. 1
4. Unlock Flip-Down Cover using Tee Key.
5. Apply silicone sealant or equivalent behind and around head flange to seal and help support hydrant Fig. 1 *Make sure silicone does not interfere with door operation.*
6. Install hydrant with top of head in the horizontal and level position. Fig. 3 *Do not install in vertical position.*
7. Note: Proper drainage is built into hydrant: Fig. 1 *1/2" tube must slope slightly down toward inlet. 3/4" tube must be level.*
8. Install adjustable Wall Clamp over water tubes and slide snug to interior wall. Fig. 1
9. Air vent in Operating Stem must not be plugged to ensure proper draining. Fig. 2

Note: For solder connection, open hydrant to full open position before soldering. Excessive heat can damage valve seat rubber.

OPERATING INSTRUCTIONS: Fig. 3

Use Tee Key to open and close hydrant.

To OPEN, turn stem counter-clockwise

To CLOSE and DRAIN, turn stem clockwise until seated and water drains out the drain hole.

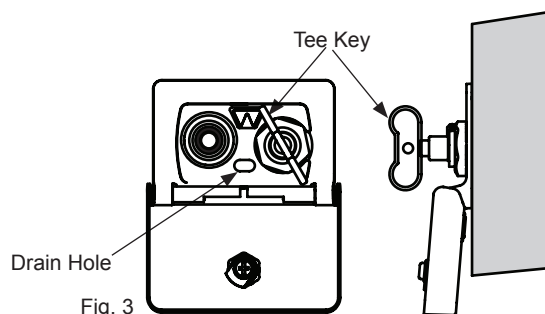


Fig. 3